

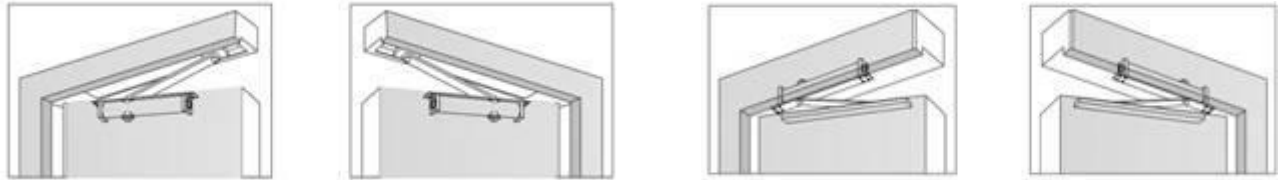
D90 SERIES Overhead Cam Action EN2-4 Sliding Door Closers



STANDARD FEATURES

- **Certification:** Non
- **Spring Power:** Adjustable Size 2-4
- **Durability:** 100,000 cycles above
- **Function:** Adjustable Closing speed
Adjustable Latching speed
- **Arm type:** Sliding track arm
- **Type:** Overhead
- **Max. Opening:** 120 °
- **Pressure relief valve:** Yes
- **Mechanism:** Cam Action
- **Hand of door:** Non handed
- **Materials of Body:** Aluminum
- **Materials of guide rail and Main Arm:** 6061, Steel
- **Materials of Spring :** 60Si2Mn
- **Hold open:** Yes
- **Delayed Action:** NO
- **Description:** Closing speed can be individually adjusted
Hydraulic latching action which accelerates the door shortly before it is closed
- **Application:** Suitable for interior wood, Glass door and frame
- **Finish:** Silver, Brown, White,Black, Others upon request.
- **Leaf width (max.):** 1100mm
- **Leaf weight (max.):** 100kgs
- **Warranty:** 5 Years

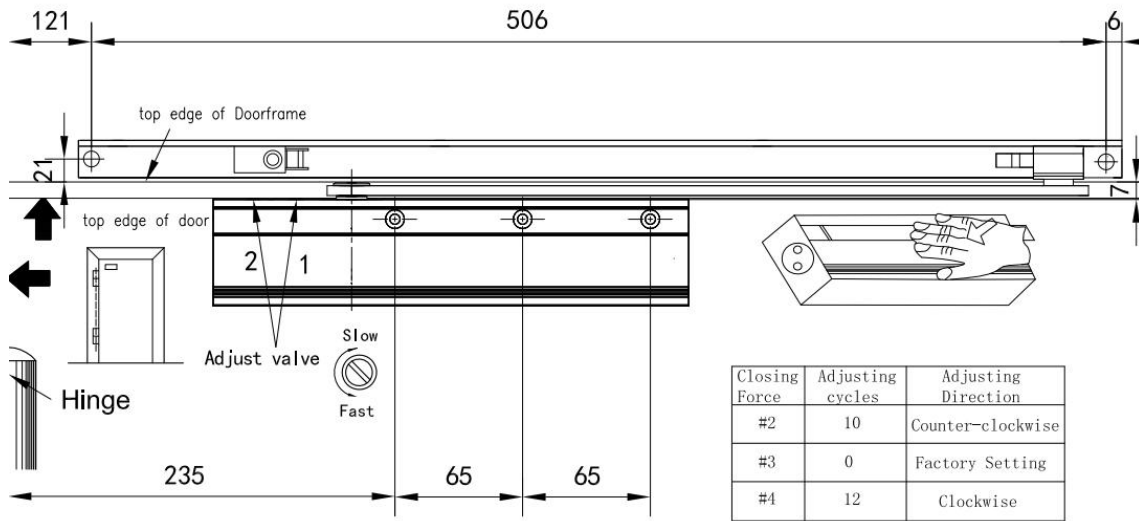
AVAILABLE INSTALLATION TYPE:



Model #	Spring power	Recommended Door Weight	Recommended Max. Door Leaf Width (mm)	Notes
D90	2-4	20-100 KGS	850-1100 mm	Slide track arm

*Note:Open the door to the desired angle,and then tighten the set screws in the slider combination.If the HO function is not needed,loosen the fixing screws.

PRODUCT DIMENSIONS:



*Rapid decrease in opening force makes doors easy to open, yet provides maximum closing force at the latch.