

D700 SERIES **Medium Duty EN3/EN6 Overhead Door Closers**

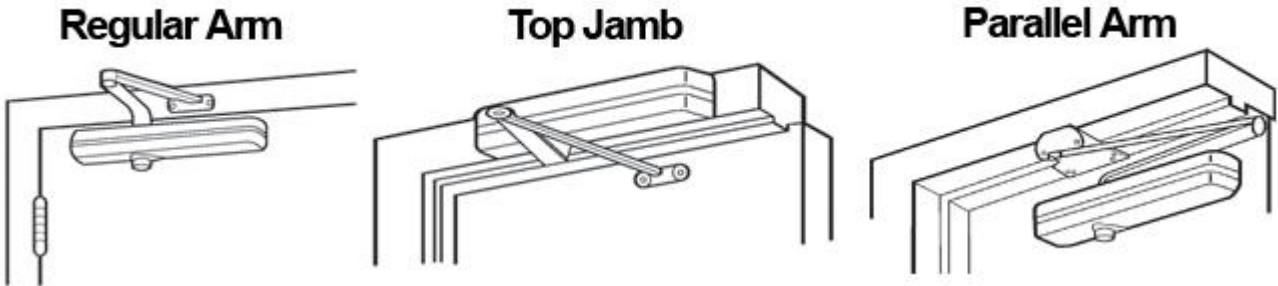


STANDARD FEATURES

- **Certification:** UL/C-UL Listed,UL10C 3 hours fire rating
- **Spring Power:** Fixed EN3/EN6
- **Durability:** 100,000 cycles above
- **Function:** Adjustable Closing speed
Adjustable Latching speed
- **Installation type:** Regular,Top Jamb,Parallel
- **Max. Opening:** 180 °
- **Arm Type:** Detachable
- **Mechanism Type:** Rack&Pinion
- **Hand of door:** Non handed
- **Materials of Body:** Die-cast Aluminum
- **Max Door Width:** 1500mm
- **Max Door Weight:** 150Kgs
- **UL Listed:** CERTIFIRE Certificate NO.R27326
- **Backcheck:** Yes
- **Hold Open Optional:** Yes
- **Delayed Action:** NO
- **Power Adjustment Method:** By using different templates
- **Fitting Application:** Regular,Top Jamb,Parallel
- **Body Construction:** Heat-treated pinion and steel piston
- **Finish:** Silver, Brown, White,Black, Others upon request.
- **Warranty:** 5 Years

AVAILABLE INSTALLATION TYPE:

The 3 methods for installing over head door closers

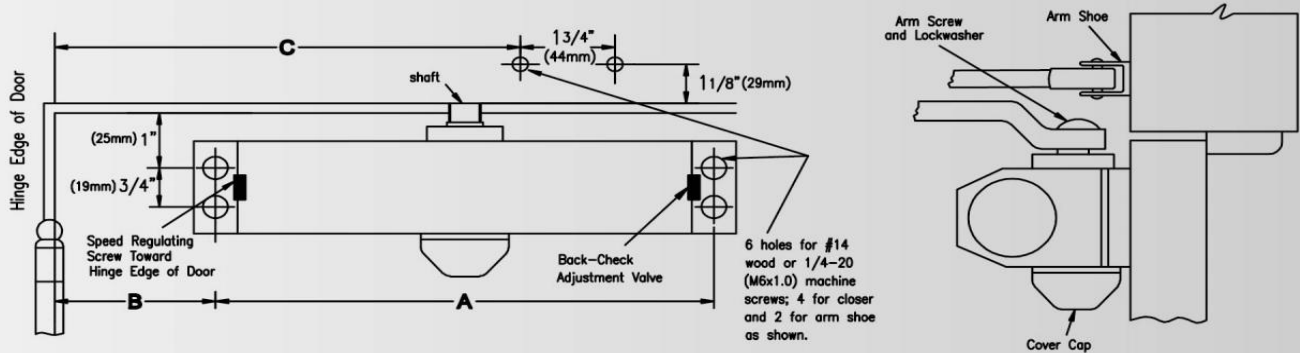


| Model # | Spring power | Recommended Door Weight | RecommendedMax. Door Leaf Width (mm) | Notes |
|---------|--------------|-------------------------|---------------------------------------|-------|
| D703 | 3# | 40-65 KGS | 950 mm | |
| D706 | 6# | 100-150 KGS | 1500 mm | |

PRODUCT DIMENSIONS:

STANDARD INSTALLATION
 CLOSER MOUNTED ON DOOR ON PULL SIDE

THIS TEMPLATE COVERS REGULAR ARM INSTALLATIONS TO 180° OPENINGS.



RIGHT HAND DOOR ILLUSTRATED
 Same dimensions apply for Left Hand Door measured from the hinge edge.

| A | FOR OPENING TO 120° | | FOR OPENING TO 120°-180° | |
|---------------|---------------------|-----------|--------------------------|-----------|
| | B | C | B | C |
| 8 3/16" 208mm | 6" 152mm | 12" 305mm | 4 1/2" 114mm | 10" 254mm |